

Title: Combiner Installation Manual

Code: MNDBC-1800/2100-4310F-153-D(4310F Type)
MNDBC-1800/2100-DINF-153-D(DINF type)

Version: P2

Issued Date: 2024.01.24

CONTENTS

- 1. Introduction of Combiner**
- 2. Installation and Fixing of Combiner**
- 3. Grounding requirements of Combiner**

1. Introduction of Combiner

In a wireless telecommunication system,combiner is a device which combines the input multi-band signals to output together to the same indoor distribution system.

Generally, there are two input ports but only one output port in one combiner.

Isolation between ports is a very important parameter which indicates the ability of two signals from two ports not affect each other .

The selection of combiners is mainly based on the requirements of the system , from the combiner specifications we can decide whether it can meet the system requirements .

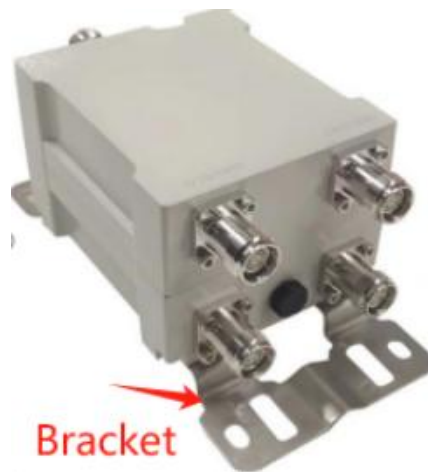
Combiner's specifications mainly include passband frequency,passband insertion loss,suppression, isolation ,VSWR, intermodulation and so on .

2. Installation and Fixing of Combiner

The installation form of the combiner generally includes two forms according to the customer's requirements : with bracket and with mounting holes (without bracket)

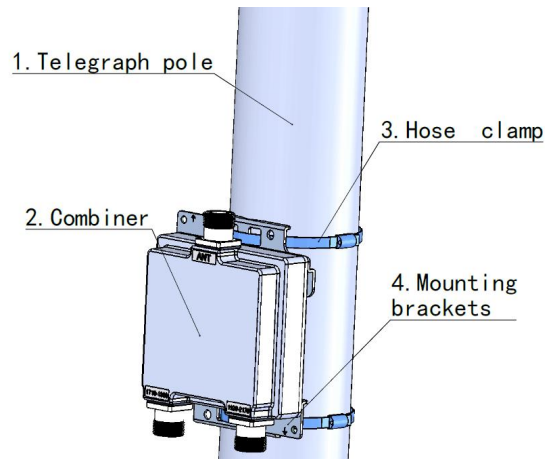
For the combiners with mounting holes, mainly designed based on customer requirements , its installation and fixing way is generally decided by customer.Below are installation and fixing instructions for combiner with brackets .

With Bracket:

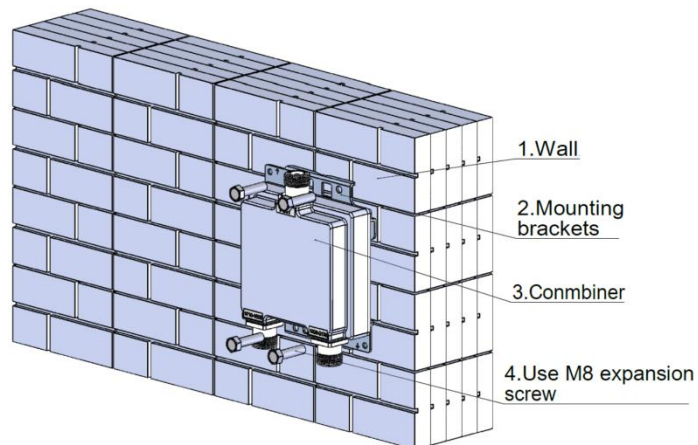


One combiner with bracket will match two hose clamps , the mounting form with bracket is as following:

- ① For the pole type installation, pass the hose clamp through the bracket reservation holes and connect the product to the pole ,then lock the hose clamp with a screwdriver to secure the product on the pole .



- ② For wall mounted installation, no hose clamp required. A number of screws are required to pass through the reserved hole in the bracket . Fasten the product firmly to the wall ;



- ③ Whether it's pole or wall mounted , when installing the combiner, ANT output port facing up (Connected to antenna feeder) , Input port facing down , connected to each signal source.